

**Fitting Instructions:
Thruxton (not California & Taiwan models)
Centre Stand Kit - A9758100**



! Warning

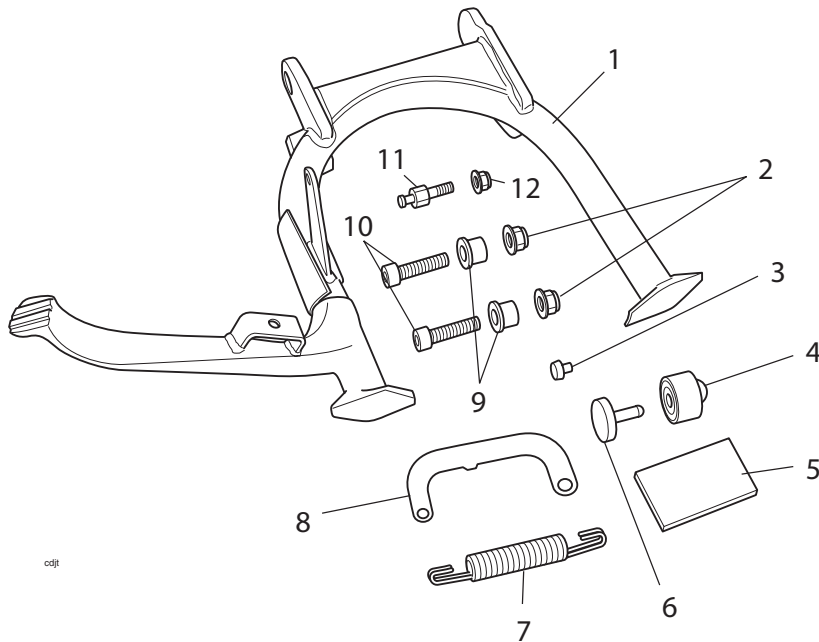
When fitting this accessory kit, ensure that the motorcycle is stabilised and adequately supported to prevent risk of injury from the motorcycle falling.

! Warning

Always have Triumph approved parts, accessories and conversions fitted by a trained technician of an authorised Triumph Dealer. The fitment of parts, accessories and conversions by a technician who is not of an authorised Triumph dealer may affect the handling, stability or other aspects of the motorcycles operation which may result in loss of motorcycle control and an accident.

! Warning

This accessory kit is designed for use on Triumph Thruxton motorcycles only and should not be fitted to any other Triumph model or to any other manufacturer’s motorcycle. Fitting this accessory kit to any other Triumph model or to any other manufacturer’s motorcycle, may interfere with the rider and could affect the stability or other aspects of the motorcycles operation which may result in loss of motorcycle control and an accident.



Parts Supplied:

- | | |
|---|---|
| 1. Centre stand. 1 off | 8. 'C' bracket 1 off |
| 2. Locknut, M10 2 off | 9. Stepped sleeve. 2 off |
| 3. Plastic plug. 1 off | 10. Bolt, M10 x 40 mm 2 off |
| 4. Rubber stop 1 off | 11. Spring retainer 1 off |
| 5. Rubber strip, self adhesive . . . 1 off | 12. Locknut, M8 1 off |
| 6. Stop extension 1 off | 13. Cleaning swab (not shown) . . 1 off |
| 7. Spring. 1 off | 14. Sachet, grease (not shown) . . 1 off |

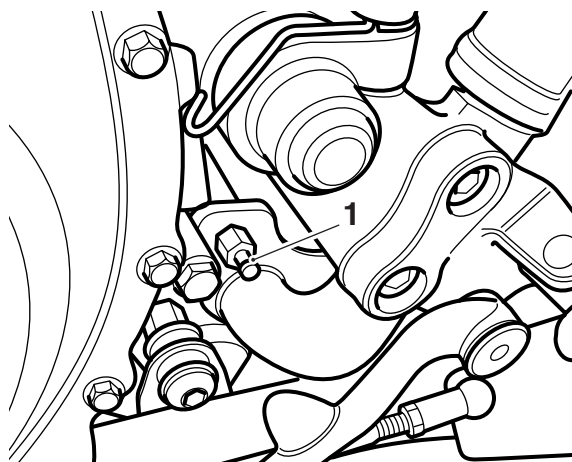
Publication part number A9900015 issue 1

© Triumph Designs Ltd 2005.

Warning

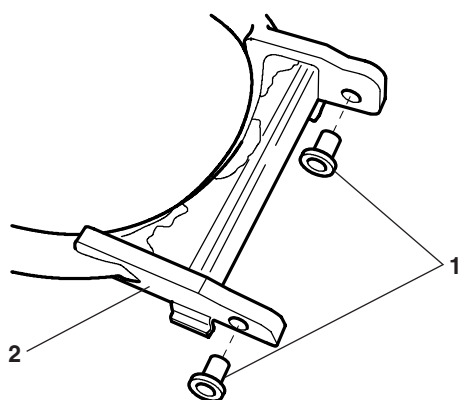
Failure to tighten any of the fasteners to the correct torque specification may result in loss of motorcycle control and an accident. Always use a calibrated torque wrench

1. Fit the spring retainer to the hole on the left-hand side of the frame, above the centre stand mounting brackets as shown. Fit the M8 locknut and tighten to **27 Nm**.



1. Spring retainer

2. Lubricate the stepped sleeves with the grease supplied and fit them to the stand ensuring each sleeve is fitted as shown.

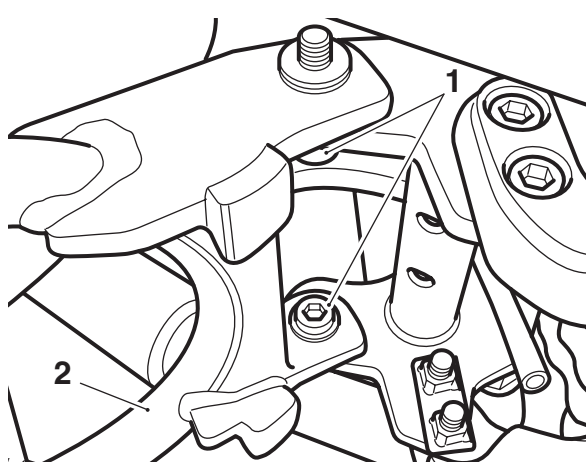


1. Stepped sleeves

2. Centre stand

3. Align the centre stand to the mounting brackets on the frame. Position the stand on the right-hand side of the brackets.

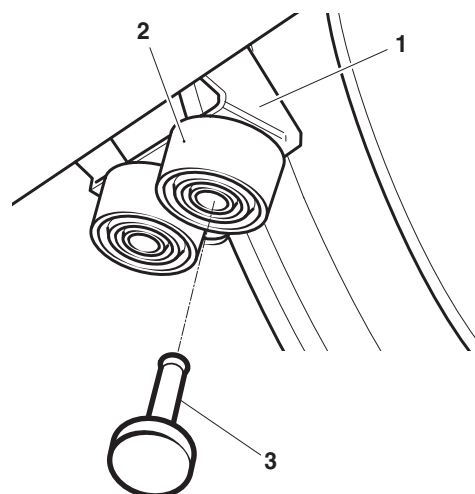
4. Insert the M10 x 40 mm bolts from the inside so that the threaded end of the bolts faces outwards. Fit the M10 locknuts to the bolts and tighten to **45 Nm**.



1. Bolts

2. Centre stand

5. Fit the rubber stop to the rear hole on the left-hand silencer bracket then insert the stop extension through the hole in the rubber stop.

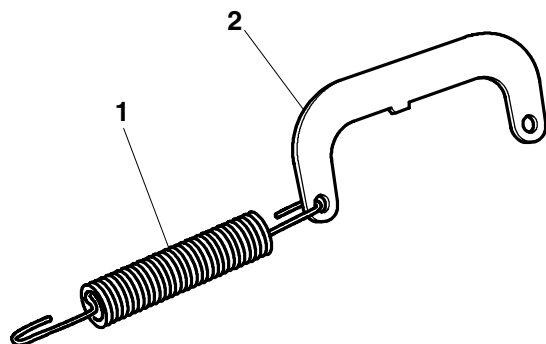


1. Silencer bracket

2. Rubber stop

3. Stop extension

6. Fit the spring into the smaller hole in the 'C' bracket.

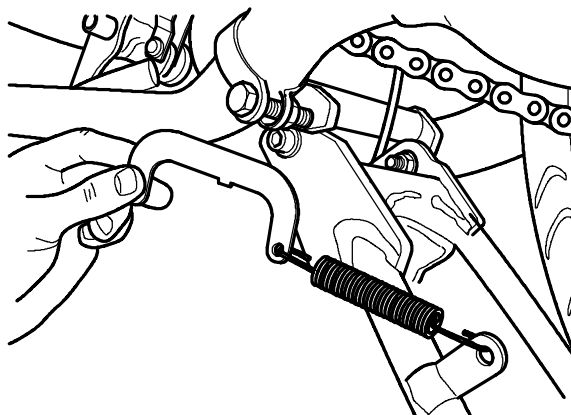


1. Spring
2. 'C' bracket

Warning

Wear hand, eye and face protection when fitting the spring. Take great care to minimise the risk of personal injury and loss of components.

7. Hook the spring into its lug on the centre stand and locate the larger hole on the 'C' bracket to the spring retainer fitted in step 1.

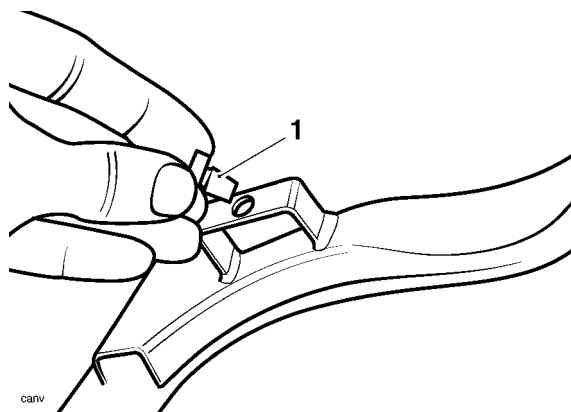


8. Check the operation of the centre stand, ensuring the spring holds it securely in the retracted position.

Warning

Read the warning advise printed on the cleansing swab packaging.

9. Use the cleaning swab provided to clean the left hand side of the centre stand.
10. Peel the backing from the rubber strip and affix to the centre stand such that it prevents contact between the centre stand and the side stand.
11. Insert the plastic plug into the centre stand bracket as shown.



1. Plastic plug

12. If the gap between the centre stand foot finder and the silencer is greater than 10 mm, remove the plastic plug fitted in step 11. If the gap is still greater than 10 mm, remove the stop extension fitted in step 5.
13. Operate the centre stand a few times then re-torque the M10 bolts to **45 Nm**.